



---

**BELT FILTER PRESS**

**BELT THICKENER**

**DRUM THICKENER**

**POLYMER STATION**

**BELT SCREEN**

**PISTON PUMP**

**PLATE FILTER PRESS**

**FILTER BAGS**

**CONVEYORS**

---

O.C.M. srl - Fusignano (Ravenna) Italy - via S. Barbara 135  
tel. 0039 054550230 fax: 0039 054551404  
www.ocmsrl.com e-mail: info@ocmsrl.com



**OCM<sup>®</sup>**

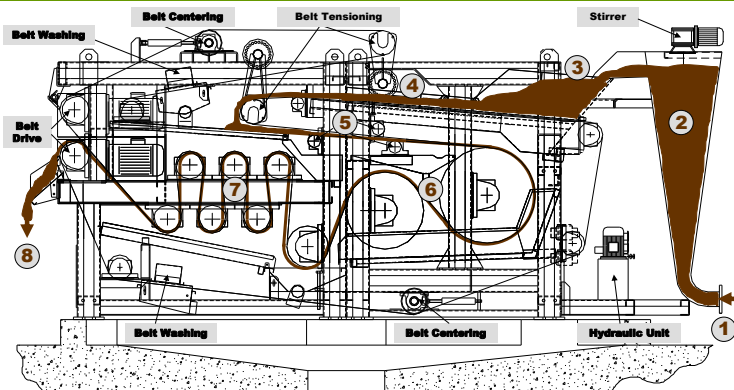
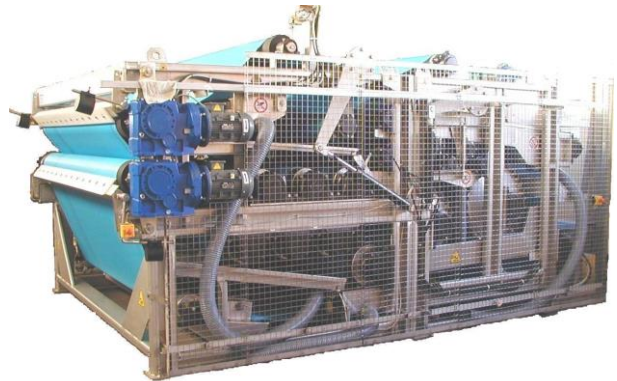


**BELT FILTER PRESS - HIGH PRESSURE line  
WITH 7, 9 or 11 PRESSURE ROLLERS**

**PN**

**DESIGN**

- n. 7, 9 or 11 pressure rollers
- Hydraulic belt tensioning and centering system
- Belt washing pump on board
- Self cleaning nozzles
- Automatic/Manual electrical local control panel



**OPERATION**

- 1 - Sludge inlet
- 2 - Conical reactor (case with mine sludge)
- 3 - Distribution tank
- 4 - Dewatering area with ploughs
- 5 - Wedge area
- 6 - Soft pressing area
- 7 - Hard pressing area
- 8 - Sludge discharge

**MODELS AND SPECIFICATIONS**

| Models | Sludge capacity<br>m <sup>3</sup> /h | Belt width<br>mm | Belt washwater<br>m <sup>3</sup> /h | Belt filter press<br>power<br>kW | Washpump<br>power<br>kW | Empty weight<br>kg |
|--------|--------------------------------------|------------------|-------------------------------------|----------------------------------|-------------------------|--------------------|
| PN 50  | 3÷9                                  | 600              | 4,6                                 | 2,6                              | 4,0                     | 3000               |
| PN 80  | 5÷12                                 | 900              | 6,2                                 | 2,6                              | 4,0                     | 3400               |
| PN 100 | 6÷14                                 | 1100             | 8,2                                 | 3,3                              | 5,5                     | 4000               |
| PN 120 | 8÷16                                 | 1300             | 9,8                                 | 3,3                              | 5,5                     | 4500               |
| PN 150 | 10÷19                                | 1600             | 11,9                                | 4,1                              | 7,5                     | 5000               |
| PN 170 | 11÷21                                | 1800             | 13,5                                | 4,1                              | 7,5                     | 5400               |
| PN 200 | 14÷24                                | 2100             | 16,4                                | 5,7                              | 11                      | 8000               |
| PN 220 | 15÷26                                | 2300             | 18,3                                | 5,7                              | 11                      | 9000               |
| PN 250 | 16÷30                                | 2600             | 20,0                                | 5,7                              | 11                      | 10000              |
| PN 270 | 18÷32                                | 2800             | 21,9                                | 7,3                              | 13,5                    | 11500              |
| PN 300 | 20÷36                                | 3100             | 24,6                                | 7,3                              | 13,5                    | 13000              |

**OPTIONS**

- Belts drive unit with control by hand-wheel or inverter
- Sludge inlet by reactor cylinder or conical reactor or distribution reactor tank
- Possibility of construction in galvanized steel or stainless steel





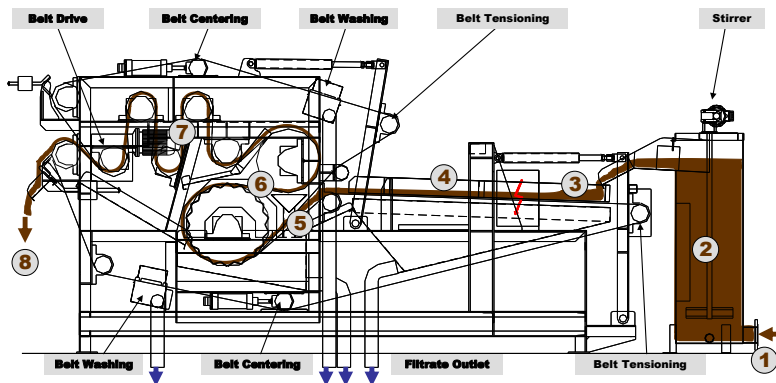
**OCM<sup>®</sup>**



**BELT FILTER PRESS - MEDIUM PRESSURE line  
WITH 7 or 9 PRESSURE ROLLERS  
PN-S**

**DESIGN**

- n. 7 or 9 pressure rollers
- Pneumatic belt tensioning and centering system
- Belt washing pump on board
- Self cleaning nozzles
- Automatic/Manual electrical local control panel



**OPERATION**

- 1 - Sludge inlet
- 2 - Reactor cylinder
- 3 - Distribution tank
- 4 - Dewatering area with ploughs
- 5 - Wedge area
- 6 - Soft pressing area
- 7 - Hard pressing area
- 8 - Sludge discharge

**MODELS AND SPECIFICATIONS**

| Models   | Sludge capacity<br>m <sup>3</sup> /h | Belt width<br>mm | Belt washwater<br>m <sup>3</sup> /h | Belt filter press<br>power<br>kW | Washpump<br>power<br>kW | Empty weight<br>kg |
|----------|--------------------------------------|------------------|-------------------------------------|----------------------------------|-------------------------|--------------------|
| PN 50-S  | 2÷3                                  | 500              | 2,9                                 | 1,3                              | 4,0                     | 1400               |
| PN 80-S  | 4÷6                                  | 800              | 5,0                                 | 1,3                              | 4,0                     | 1700               |
| PN 100-S | 5÷8                                  | 1000             | 5,8                                 | 1,65                             | 4,0                     | 2000               |
| PN 120-S | 6÷10                                 | 1200             | 7,2                                 | 2,05                             | 5,5                     | 2200               |
| PN 150-S | 8÷13                                 | 1500             | 9,4                                 | 2,05                             | 5,5                     | 4000               |
| PN 170-S | 9÷15                                 | 1700             | 10,1                                | 2,35                             | 5,5                     | 4300               |
| PN 200-S | 10÷20                                | 2000             | 15,5                                | 3,55                             | 11                      | 4800               |
| PN 220-S | 12÷22                                | 2200             | 17,3                                | 3,55                             | 11                      | 5200               |
| PN 250-S | 14÷26                                | 2500             | 19,2                                | 4,95                             | 11                      | 5900               |
| PN 270-S | 16÷28                                | 2700             | 21,1                                | 4,95                             | 13,5                    | 6400               |
| PN 300-S | 18÷30                                | 3000             | 23,8                                | 4,95                             | 13,5                    | 7000               |

**OPTIONS**

- Belts drive unit with control by hand-wheel or inverter
- Sludge inlet by reactor cylinder or conical reactor
- Possibility of construction in galvanized steel or stainless steel





**OCM<sup>®</sup>**

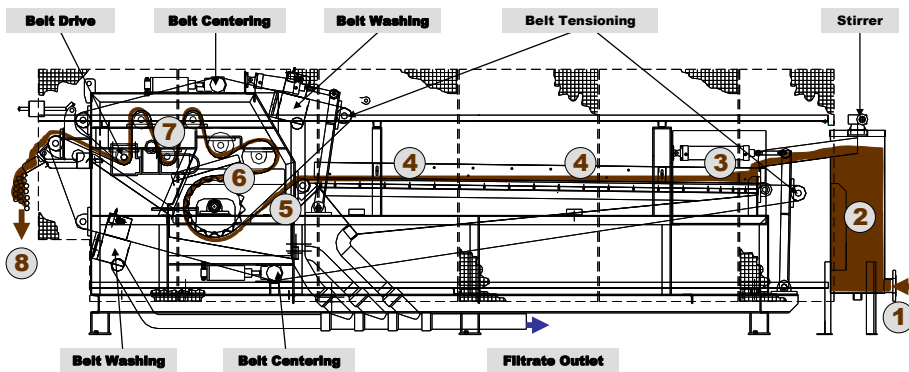


**BELT FILTER PRESS - MEDIUM PRESSURE line  
WITH LONG DRAINAGE AREA**

**PN-SL**

**DESIGN**

- n. 7 pressure rollers
- Long drainage area
- Pneumatic belt tensioning and centering system
- Belt washing pump on board
- Self cleaning nozzles
- Automatic/Manual electrical local control panel



**OPERATION**

- 1 - Sludge inlet
- 2 - Reactor cylinder
- 3 - Distribution tank
- 4 - Dewatering area with ploughs
- 5 - Wedge area
- 6 - Soft pressing area
- 7 - Hard pressing area
- 8 - Sludge discharge

**MODELS AND SPECIFICATIONS**

| Models    | Sludge capacity<br>m <sup>3</sup> /h | Belt width<br>mm | Belt washwater<br>m <sup>3</sup> /h | Belt filter press<br>power<br>kW | Washpump<br>power<br>kW | Empty weight<br>kg |
|-----------|--------------------------------------|------------------|-------------------------------------|----------------------------------|-------------------------|--------------------|
| PN 50-SL  | 3÷5                                  | 500              | 2,9                                 | 1,3                              | 4,0                     | 1900               |
| PN 80-SL  | 6÷8                                  | 800              | 5,0                                 | 1,3                              | 4,0                     | 2100               |
| PN 100-SL | 7÷10                                 | 1000             | 5,8                                 | 1,65                             | 5,5                     | 2400               |
| PN 120-SL | 9÷12                                 | 1200             | 7,2                                 | 2,05                             | 5,5                     | 2600               |
| PN 150-SL | 12÷15                                | 1500             | 9,4                                 | 2,05                             | 7,5                     | 4200               |
| PN 170-SL | 13÷17                                | 1700             | 10,1                                | 2,35                             | 7,5                     | 4500               |
| PN 200-SL | 16÷20                                | 2000             | 15,5                                | 4,1                              | 11                      | 5000               |
| PN 220-SL | 18÷22                                | 2200             | 17,3                                | 4,1                              | 11                      | 5400               |
| PN 250-SL | 21÷25                                | 2500             | 19,2                                | 4,1                              | 11                      | 6100               |

**OPTIONS**

- Belts drive unit with control by hand-wheel or inverter
- Sludge inlet by reactor cylinder or conical reactor
- Drainage area with system to increase dry solids
- Possibility of construction in galvanized steel or stainless steel

